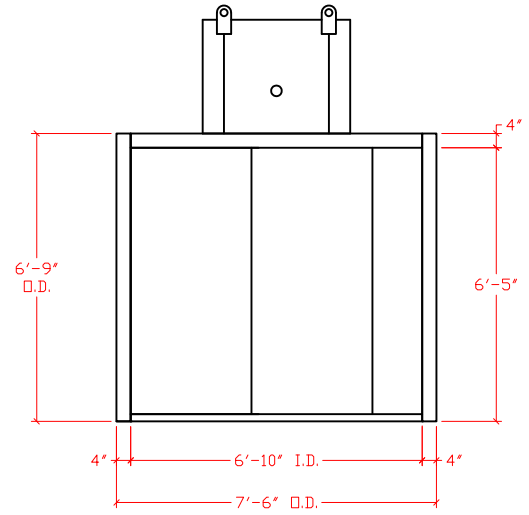
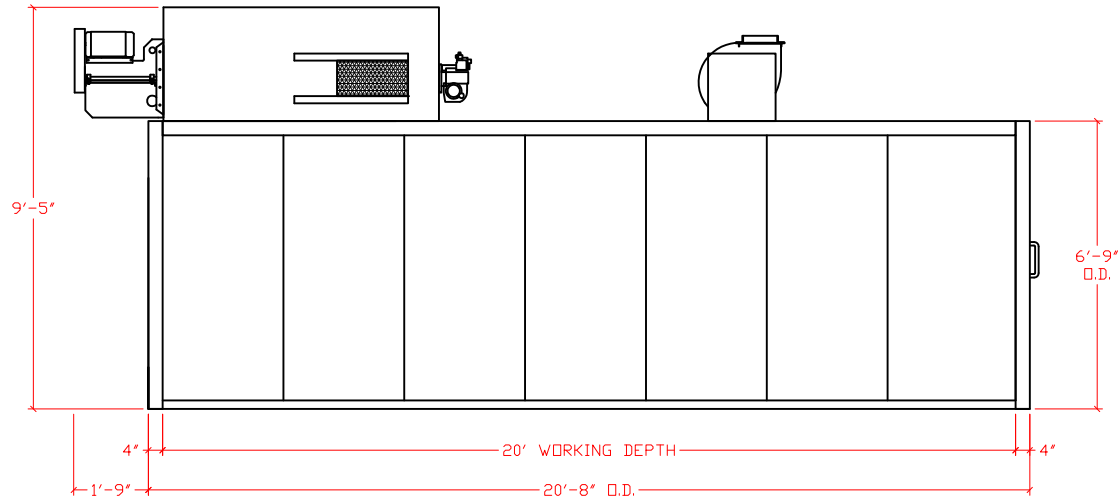


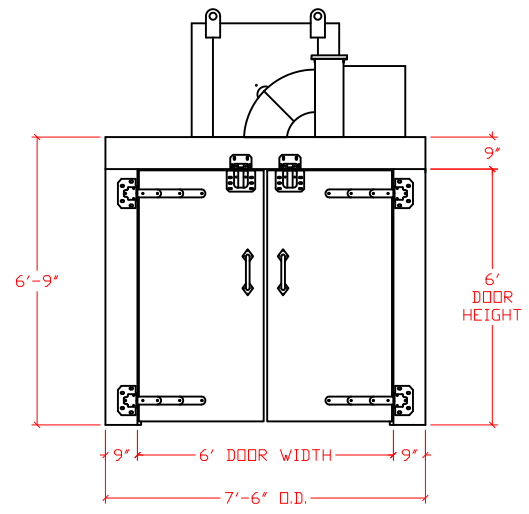
TOP ELEVATION



REAR ELEVATION



LEFT SIDE ELEVATION



FRONT ELEVATION



MODEL:
OEMB-06-06-20-TB

DRAWING TYPE:
CONCEPTUAL

NOTES:

- 01) 18 GAUGE ALUMINIZED STEEL, INTERIOR AND EXTERIOR
- 02) TONGUE & GROOVE PANEL CONSTRUCTION
- 03) 1 - 800,000 BTU BURNER WITH A 1/40 HP MOTOR
- 04) 1 - 16" RECIRCULATING FAN WITH A 2 HP MOTOR, 208-240/480V, 60C, 3-PH, WITH A CAPACITY OF 3,600 CFM @ 1" SP
- 05) 1 - 10" EXHAUST FAN WITH A 1/4 HP MOTOR, 208-240/480V, 60C, 3-PH, WITH A CAPACITY OF 1,000 CFM @ 1/4" SP
- 06) 1 - 480V CONTROL PANEL COMPLETE WITH MOTOR STARTERS,

- DISCONNECT, FLAME SAFETY, TEMPERATURE CONTROLLER, HIGH LIMIT CONTROLLER, AND FLAME SAFETY CONTROLS.
- 07) 1 - GAS MANIFOLD COMPLETE WITH GAS VALVES AND PRESSURE SWITCHES.
- 08) 1 - AIR FLOW SWITCH FOR

- THE RECIRCULATING BLOWER.
- 09) 1 - AIR FLOW SWITCH FOR THE EXHAUST BLOWER
- 10) 1 - MODULATING MOTOR WITH A 0-10 VDC SIGNAL INPUT.
- 11) ALL ELECTRICAL AND PLUMBING TO CONFORM TO LOCAL CODES.

- 12) CUSTOMER TO SUBMIT PLANS TO FIRE PREVENTION BUREAU PRIOR TO OPERATING THE OVEN.
- 13) ELECTRICAL HOOK UP BY OTHER. HOOK UP SHALL BE IN ACCORD WITH NEC-70 AND NFPA 88